

DISJUNTORES DZ47 & JCB

Modelo	DZ47-63	JCB360	JCB100
Application: For protecting cables and equipment against overload and short circuit in commercial and industrial place. JNG Provide you like DZ47, JCB360 & JCB100			
Standard	IEC 60898		
Poles	1,2 ou 3 pólos		
Temperature ambient	-5°C ~ +40°C		
	- storage -25°C ~ +55°C		
Ingress Protection	IP20(IP00)		
Mounting position	0 ~ 360°		
Mounting Method	Rail DIN 35mm (EM50022)		
Rated current In	6,10,16,20,25,32,40,50 & 63 A	80,100 & 125 A	
Rated voltage Ue	240/415Vac		
Insulation voltage Ui	230/400 – 240/415Vac		
Rated frequency	50/60Hz		
Breaking short circuit capacity Icn 240/415Vac	4.5kA	3kA	6kA
characteristics for magnetic operation	Curve C		
Mechanical life	20000 operation		
Electrical life	6000 operation		
connection	Terminal Style		
Thread flexible (mm/AWG)		1x1...25/16...4	1x1...70
		2x1...10/10...4	2x1...16
		1x1...25/16...4	1x1...70
		2x1...10/10...4	2x1...16
		1x1...25/16...4	1x1...70
		2x1...10/10...4	2x1...16

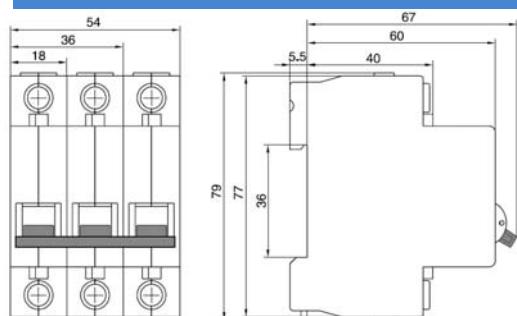
Maior Proteção
Menor Proteção

Aplicável para circuitos indutivos conforme curva característica

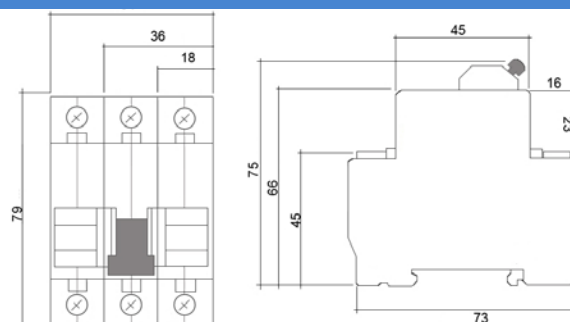
Tabela dos Diferentes Níveis de Proteção	
ATUAÇÃO INSTANTÂNEA EM UM TEMPO MENOR QUE 0.1 S	CLASSIFICAÇÃO QUANTO A CORRENTE DE ABERTURA
3 In = I _c < 10 In	Classe 1
10 In = I _c < 20 In	Classe 2
20 In = I _c < 50 In	Classe 3



Dimensions DZ47



Dimensions JCB360



Dimensions JCB100

