



HGL CHANGEOVER SWITCH

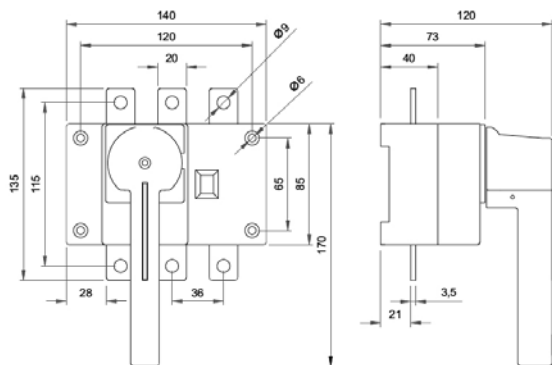
Applicable scope: The switch HGL were developed to operate under load and are available in 160,250,400 and 630A. It normal used indoor,and production standard under IEC 60947,GB 14048.3.

Features:

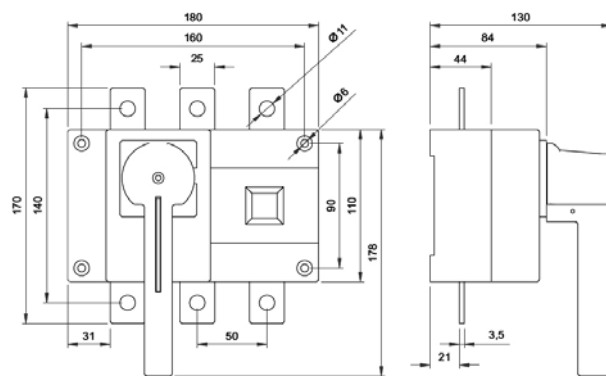
Raw material for switch's frame were made of glass fiber reinforced saturated polyester plastic. This switch has spring energy storage Structure, to make sure the actions of making or breaking the parallel double-contactors structure in one short time. you can identify the running state of this switch by mark, you can lock the state "off" position to prevent the unauthorized access.

Reference		HGL-160	HGL-250	HGL-400	HGL-630	
Thermal current I _{th} (A)		160	250	400	630	
Rated operating voltage U _e (V)		500				
Rated insulation voltage U _i (V)		750		1000		
Impulse voltage U _{imp} (kV)		8		12		
Frequency (Hz)		50/60				
Rated operating current I _e (A)	220Vca	DC-21A/B	160	250	400	630
		DC-22A/B	160	250	400	500
		DC-23A/B	125	200	400	500
	380Vca	AC-21A/B	160	250	400	630
		AC-22A/B	160	250	400	630
		AC-23A/B	160	250	340	536
	500Vca	AC-21A/B	160	200	400	500
		AC-22A/B	125	160	200	315
		AC-23A/B	63	80	125	125
Short-circuit current I _{cm} (kA)		12	17	30	40	
Mechanical Life		10000		5500		
Torque maneuver (Nm)		6.5	10	14.5	14.5	
Operating Temperature		-5°C to +40°C				
Ingress Protection		IP00				
Section of conductors	Terminal	1x70mm ²	1x120mm ²	1x240mm ²	2x180mm ²	
	Busbar	20x5mm	25x5mm	30x5mm	40x10mm	
approximate weight(kg)		1.0	2.0	3.5	4.0	

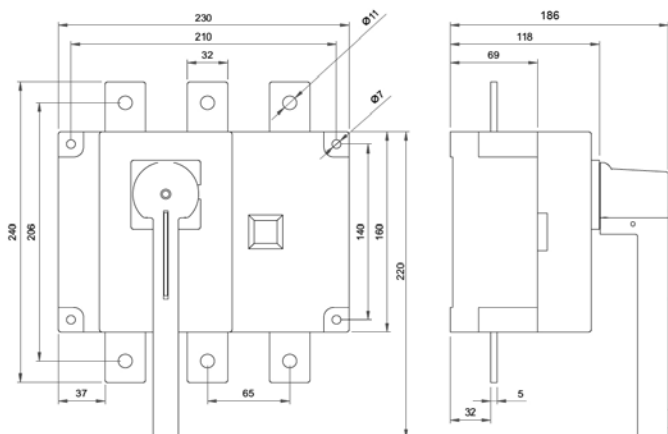
DIMENSIONS



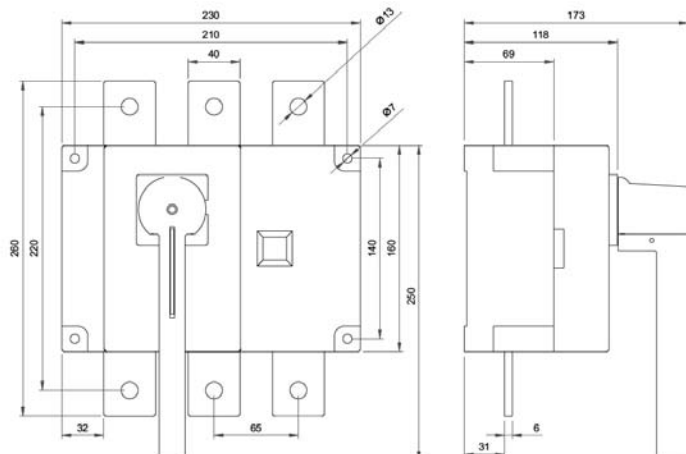
HGL-160



HGL-250



HGL-400



HGL-630