

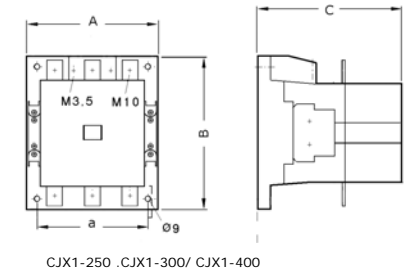
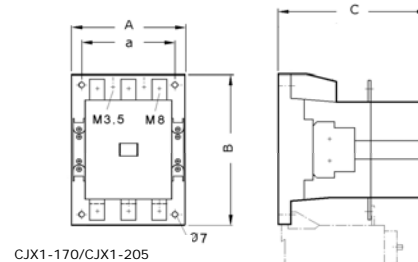
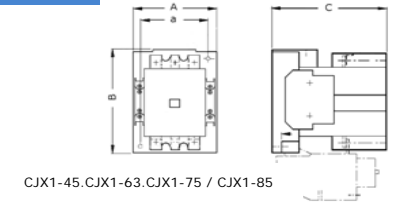
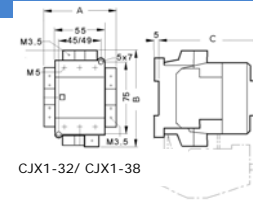
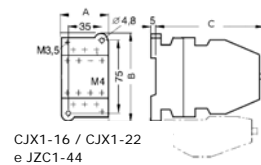
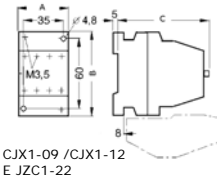
CJX1 CONTACTORES

		CJX1-09	CJX1-12	CJX1-16	CJX1-22	CJX1-32	CJX1-38	CJX1-45	CJX1-63	CJX1-75	CJX1-85	CJX1-110	CJX1-140	CJX1-170	CJX1-205	CJX1-250	CJX1-300	CJX1-400	
Current nominal (A)		09	12	16	22	32	38	45	63	75	85	110	140	170	205	250	300	400	
Rated voltage Ue.max (V)		660						750			1000								
AC3	le.max (A)	09	12	16	22	32	38	45	63	75	85	110	140	170	205	250	300	400	
	Capacity (CV/kW)	220V	3/2.2	4/3	5.5/4	7.5/5.5	10/7.5	9.5/12.8	15/11	20/15	25/18.5	30/22	40/30	50/37	75/55	87/64	100/75	125/90	156/115
	380V	5/3.7	7.5/6	10/7.5	15/11	20/15	25/18.5	30/22	40/30	50/37	60/45	75/55	100/75	125/90	150/110	175/130	200/150	250/165	
Electrical life 10 ⁶		1												0.8					
AC4	le.max (A)	3.3	4.3	7.7	8.5	15.6	18.5	24	28	64	42	54	68	75	***	103	***	120	
	Capacity (CV/kW)	220V	1/0.75	1.5/1.1	2.7/2	3/2.2	5.8/4.3	15/11	8.8/6.5	11/8	11.5/8.7	13/9.7	21/15.6	21/15.6	28.5/21	34/25	42/31	51/37.5	62.5/46
	380V	1.9/1.4	2.5/1.9	4.7/3.5	5.5/4	10/7.5	12.2/9	16/12	19/14	23/17	28.5/21	36.5/27	47.5/35	51.3/38	68/50	78.5/58	89.5/66	108/80	
Electrical life AC3 (1X10 ⁶)		0.15												0.1					
AC1	Resistive load Ie=Ith (A)	20	20	30	30	45	45	70	70	90	90	160	160	200	210	300	300	400	
	220V	7.6	7.6	11.4	11.4	17.1	17.1	30.4	30.4	38.1	41.9	61	68.6	76.2	***	114.3	***	161.9	
	380V	11	11	19.7	19.7	29.6	29.6	52.6	52.6	65.8	72.4	105.3	118.6	131.6	***	197.4	***	200	
Mechanical life AC3 (1X10 ⁶)		12						10			8								
Voltage control (coil)		24,110,220 & 380Vac									110,220 / 380Vac								
mechanical interlock		Not available									Available eg: CJX1-45N								
Altitude max (m)		2000																	
Temperatura ambient		-20°C ~ +50°C																	
Conformity of standard		IEC947 VDE0660																	
Contactors auxiliares		2NO+2NC																	
relays compatible usual *		JRS2 12./5Z	JRS2 25/Z	JRS2 45/Z	JRS2 80/Z	JRS2 135/Z	JRS2 180/Z												


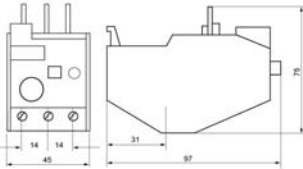

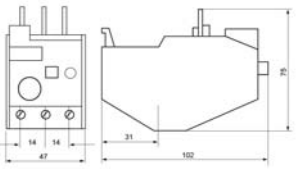

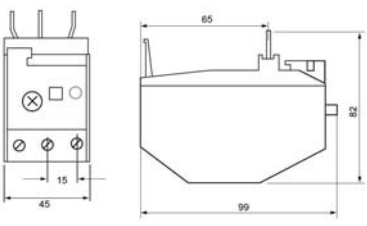

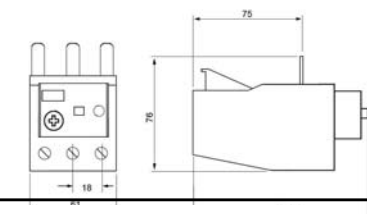

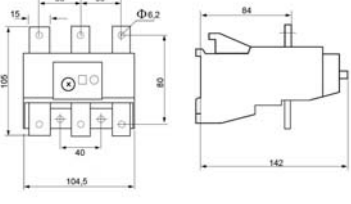
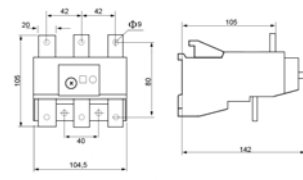

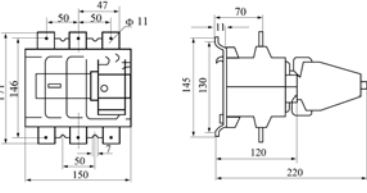
* See Table adjustment range

Dimension

Model	A	a	B	C
CJX1-09	45	-	75	97
CJX1-12	45	-	75	97
CJX1-16	45	-	84	107
CJX1-22	45	-	84	107
CJX1-32	82	-	102	104
CJX1-38	82	-	102	104
CJX1-45	89	70	117	125
CJX1-63	89	70	117	125
CJX1-75	101	70	135	141
CJX1-85	101	70	135	141
CJX1-110	120	101	150	152
CJX1-140	120	101	150	155
CJX1-170	135	110	180	188
CJX1-205	135	110	180	188
CJX1-250	145	120	200	203
CJX1-300	145	120	200	203
CJX1-400	160	130	200	227



Thermal Relay JRS2

Model		Adjustable range (A)		Contactor compatible	Dimensions
	JRS2 12.5/Z	0.16-0.25 0.25-0.4 0.4-0.63 0.63-1 0.8-1.25 1-1.6 1.25-2 1.6-2.5	2-3.2 2.5-4 3.2-5 4-6.3 5-8 6.3-10 8-12.5 10-14.5	CJX1-09-22	
	JRS2 25/Z	1-1.6 1.6-2.5 2-3.2 2.5-4 3.2-5 4-6.3	5-8 6.3-10 8-12.5 10-16 12.5-20 16.25	CJX1-16-22	
	JRS2 45/Z	6.3-10 10-16 12.5-20 16-25 20-32 32-40		CJX1-32-38	
	JRS2 80/Z	20-32 32-50 50-63 63-80		CJX1-45-85	
	JRS2 135/Z	55-80 63-90 80-110 90-120 110-135		CJX1-110-140	
	JRS2 180/Z	55-80 63-90 90-120 120-150 150-180		CJX1-170-205	
	JRS2 400/F	160-250 200-320 250-400 320-500 400-630		CJX1-250-400	

Contactors de auxiliary

mechanical interlock

Conformity to IEC 60947-4/VDE660	
Model	JZC1-22 JZC1-44
voltage (Ui)	660V
Currente nominal	10 A
contactors	2NO+2NC 4NO+4NC
Manobras	3000
Voltage (coil)	24Vac.110Vac.220Vac / 380Vac

Model Available
CJX1-32/38
CJX1-45/63
CJX1-75/85
CJX1-110/140
CJX1-170/205
CJX1-250/300
CJX1-400



JZC1